

Technical data sheet

Product features



Electric fryer drop-in 2 baskets 0,75 kW/l, 8+8 l 400 V

Model	SAP Code	00007479
--------------	-----------------	----------



- Basin volume [l]: 8
- Drain type: Trough the cabinet
- Drain: Yes
- Maximum device temperature [°C]: 190
- Minimum device temperature [°C]: 50
- Material: Stainless steel
- Ignition: Electric
- Number of baskets: 2
- Basket size [mm]: 120 x 300 x 150

SAP Code	00007479	Loading	400 V / 3N - 50 Hz
Net Width [mm]	400	Basin volume [l]	8
Net Depth [mm]	600	Number of basins	2
Net Height [mm]	460	Number of baskets	2
Net Weight [kg]	30.00	Basket size [mm]	120 x 300 x 150
Power electric [kW]	12.000	Production of fries [kg/h]	12

Technical data sheet

Technical drawing

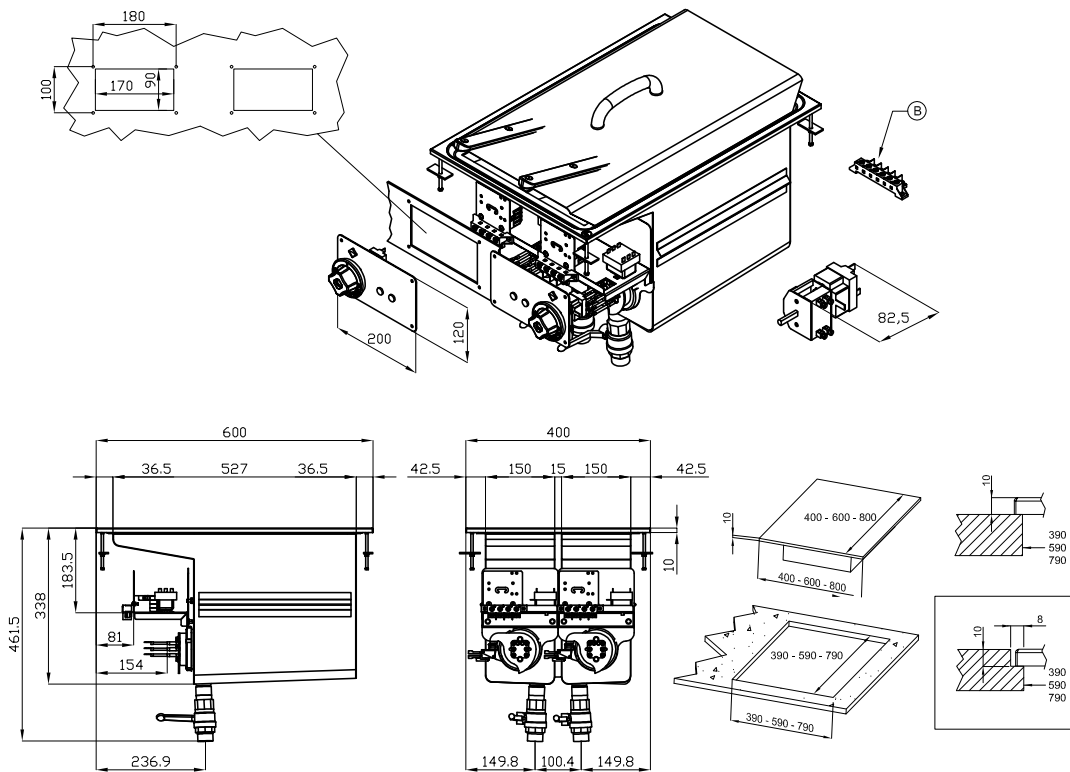


Electric fryer drop-in 2 baskets 0,75 kW/l, 8+8 l 400 V

Model

SAP Code

00007479



A	Data plate	B	Electrical connection
---	------------	---	-----------------------

Technical data sheet

Product benefits



Electric fryer drop-in 2 baskets 0,75 kW/l, 8+8 l 400 V

Model

SAP Code

00007479

1

All-stainless steel bathtub

long life
resistance of AISI 304 stainless steel material
the material does not cut

- savings on service interventions
- easier and faster operation

2

Degree of protection of the control elements IPX5

maintenance-free system
resistance to splash water
long life

- savings on service interventions
- easy cleaning and maintenance of equipment

3

Outlet into a removable collector in the base with a sieve against coarse dirt

outlet of the bath into the prepared container

- easy and safe handling

4

Cold zone

prevents food residues from burning
there is no change in the taste of the oil

- longer oil life
- easy access and maintenance

5

Rotating heating element

longer lifetime
easy access

- effective cleaning when the body is tipped out
- easy access even to corners and time saving

Technical data sheet

Technical parameters



Electric fryer drop-in 2 baskets 0,75 kW/l, 8+8 l 400 V

Model

SAP Code

00007479

1. SAP Code:

00007479

2. Net Width [mm]:

400

3. Net Depth [mm]:

600

4. Net Height [mm]:

460

5. Net Weight [kg]:

30.00

6. Gross Width [mm]:

540

7. Gross depth [mm]:

670

8. Gross Height [mm]:

640

9. Gross Weight [kg]:

30.00

10. Device type:

Electric unit

11. Construction type of device:

Drop-in

12. Power electric [kW]:

12.000

13. Loading:

400 V / 3N - 50 Hz

14. Ignition:

Electric

15. Protection of controls:

IPX5

16. Material:

Stainless steel

17. Indicators:

operation and warm-up

18. Worktop type:

Molded - comfortable cleaning maintenance

19. Worktop material:

Stainless steel

20. Standard equipment for device:

including 2 filter containers, lids and baskets

21. Basin volume [l]:

8

22. Basin dimensions [mm x mm x mm]:

148 x 350 x 327

23. Maximum device temperature [°C]:

190

24. Minimum device temperature [°C]:

50

25. Power control type:

knob control

26. Service accessibility:

Trough the frontal panel

27. Safety element:

safety thermostat

28. Safety thermostat:

Yes

Technical data sheet

Technical parameters



Electric fryer drop-in 2 baskets 0,75 kW/l, 8+8 l 400 V

Model

SAP Code

00007479

29. Adjustable feet:

Yes

30. Additional information:

large surface area heating coil to extend its life and evenly heat the oil bath cold zone

31. Heating element material:

AISI 304

32. Number of baskets:

2

33. Number of basins:

2

34. Basket size [mm]:

120 x 300 x 150

35. Production of fries [kg/h]:

12

36. Heating element construction:

Swivel

37. Drain type:

Trough the cabinet

38. Drain:

Yes

39. Cross-section of conductors CU [mm²]:

4

- Výkon (kW): 30-37 (230 V); 53-64 (400 V)